

# LCD upgrade kit

FOR YOUR HURCO UTLIMAX SSM



**MONITECH**  
PRACTICAL SOLUTIONS FOR INDUSTRIAL DISPLAYS

# IMPORTANT:

## WARRANTY

Before using any MONITECH product please carefully review this Manual as well as any additional documentation provided with your shipment.

### Attempting any of the following will void product warranty:

- unauthorized repairs or parts replacement
- inappropriate use or placement: exposing product to liquids, harmful gases, electrical shock, physical shock, temperatures beyond the range of -4°F to 140°F (-20°C to 60°C)
- use of electrical voltage other than 12V 4.16A (power supply and AC cable provided)
- Removal or modification of serial, product, or warranty labels.

	<b>WARNING</b>	
	<b>ELECTRICAL HAZARD DO NOT OPEN</b>	
TO AVOID ELECTRICAL SHOCK DO NOT OPEN PRODUCT CASING. UNAUTHORIZED REPAIRS OR PARTS REPLACEMENT ARE PROHIBITED AND WILL VOID PRODUCT WARRANTY. PLEASE RETURN TO MONITECH FOR REPAIRS.		

# REMOVAL:

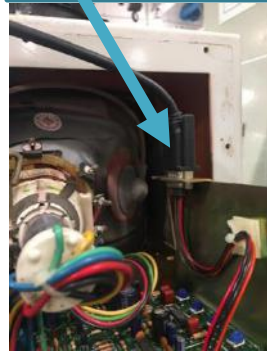
Step #1) Turn off turn off main power, turn off machine.

Step #2) Unscrew the 4 nuts holding the CRT frame in the HMI. Unplug or detach power and the video cable from the CRT Board.

Unplug or Detach power cables



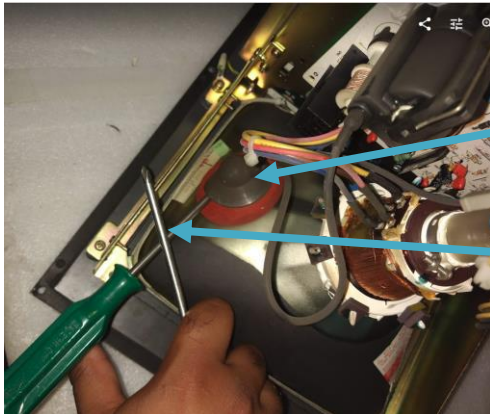
Unplug Video Cable from CRT



Unscrew these nuts holding the CRT frame in the HMI



Step 3) Remove high voltage from the CRT by placing a screwdriver underneath the rubber of the anode lead and the other end touch metal, with another screwdriver put the tip onto metal and cross it with the first screwdriver.



Anode Lead

This method grounds out all high voltage from the CRT

Step 4) Remove the Anode Lead, Yoke, Neck Board and Degauss connector to remove the driver board from the CRT frame.



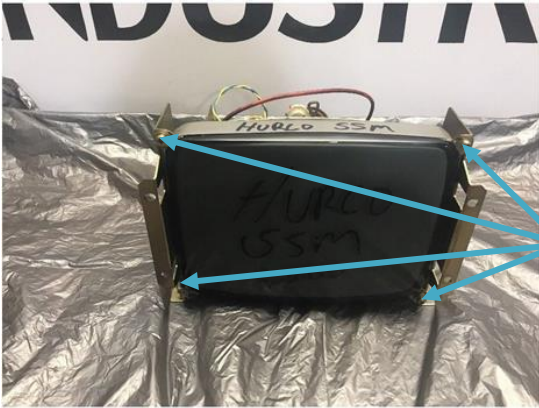
DRIVER BOARD

NECK BOARD

YOKE

DEGAUSS CONNECTORS

Step 5) Unscrew 4 screws holding the CRT in place.  
Remove CRT from the frame. KEEP THE SCREW FOR  
INSTALLATION.



Unscrew these  
screws holding the  
CRT in place.

## INSTALLATION:

Step 6) Take the Monitech monitor out of the box and mount it on to the machine using the 4 holes on the corners 4 screws provided. Use the 4 screw previously removed.

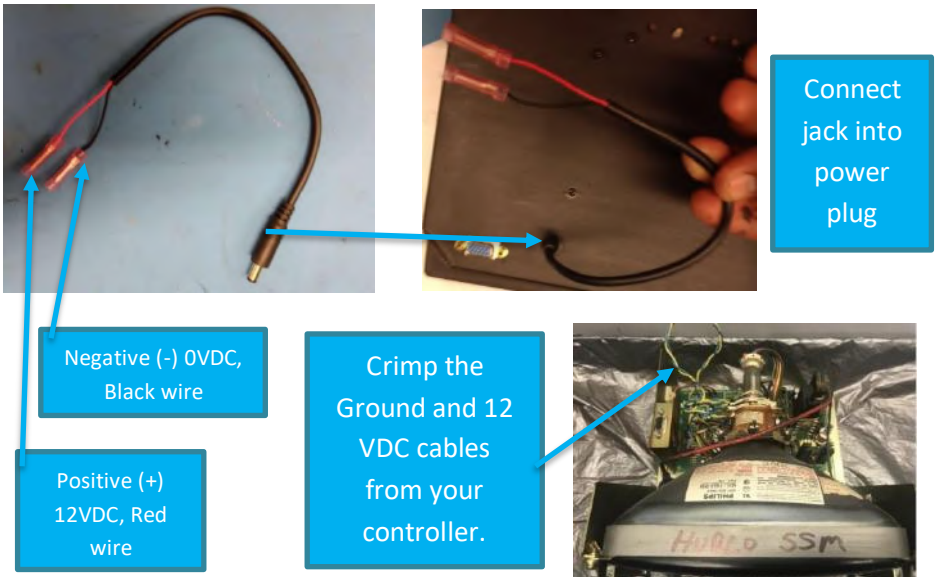


Step #7) There is 2 options for power up our Monitor.

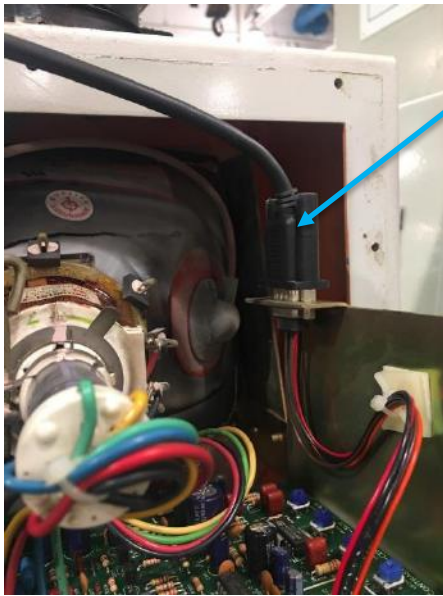
Option #1) Power separately using a wall plug connected to MAP302 + MAP307 and connect the jack into the monitor.



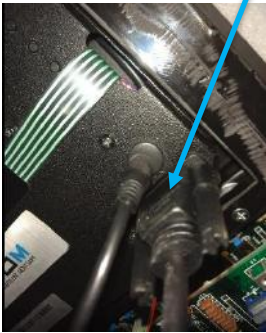
Option #2) Cut your 2 power cables. Check with a voltmeter which wires are giving you 12 VDC that's your positive and which is your 0 VDC that's your negative. (Black is usually 0 VDC), Depending on your readings, crimp 0 VDC power cable to the black wire with the butt connector. With the 12 VDC crimp to the red wire with the butt connector. Plug power jack into the monitor provided by Monitech.



Step # 8) Connect your VGA cable to our monitor, if you need an extension, we provide it in our cable kit just in case the labeled # is MAV003. All cables in the MK cable box are for just in case.



VGA Connector - USE THIS CABLE FOR VIDEO



Step #9) Test the monitor before attaching the Monitech Monitor you're your old CRT frame back into your HMI with the 4 nut removed in Step 2. Test the monitor by powering up your Main power and your Machine power. Adjust your screen to your liking with our user controls (use our user guide to help you)



15" & 17" LED USER MANUAL N SERIES

One touch does it!



MONITECH  
PRACTICAL SOLUTIONS FOR INDUSTRIAL DISPLAYS





**Enjoy your rejuvenated Monitor.  
Call us to order more replacement HMI parts.**

# Keep your HURCO HMI's up and running!



ML080QTAUTOS - 8" LCD  
Upgrade for Hurco  
Autobend/BMC30 with 9" CRT

ML104QTHURCS - Single 10.4"  
LCD Upgrade for a Double  
Hurco (Ultimax 3) with a 12"



ML104QTHURCS -  
Single 10.4" LCD  
Upgrade for a  
Double Hurco  
(Ultimax 3) with a  
12" CRT

For Technical Support, Call

**1-877-493-6105**

[Support@Monitech.com](mailto:Support@Monitech.com)

**MONITECH**

---

20 Howard Place  
Kitchener, Ontario N2K 4Z4  
CANADA 519.725.222  
[www.monitech.com](http://www.monitech.com)