

# Set up your 10-inch LCD



**MONITECH**  
PRACTICAL SOLUTIONS FOR INDUSTRIAL DISPLAYS



# IMPORTANT

## WARRANTY

Before using any MONITECH product please carefully review this Manual as well as any additional documentation provided with your shipment.

### Attempting any of the following will void product warranty:

- unauthorized repairs or parts replacement
- inappropriate use or placement: exposing product to liquids, harmful gases, electrical shock, physical shock, temperatures beyond the range of -4°F to 140°F (-20°C to 60°C)
- use of electrical voltage other than 12V 4.16A (power supply and AC cable provided)
- removal or modification of serial, product, or warranty labels.

	<p style="text-align: center;"><b>WARNING</b></p> <p style="text-align: center;"><b>ELECTRICAL HAZARD DO NOT OPEN</b></p>	
<p>TO AVOID ELECTRICAL SHOCK DO NOT OPEN PRODUCT CASING. UNAUTHORIZED REPAIRS OR PARTS REPLACEMENT ARE PROHIBITED AND WILL VOID PRODUCT WARRANTY. PLEASE RETURN TO MONITECH FOR REPAIRS.</p>		

# 1. Secure a video signal.

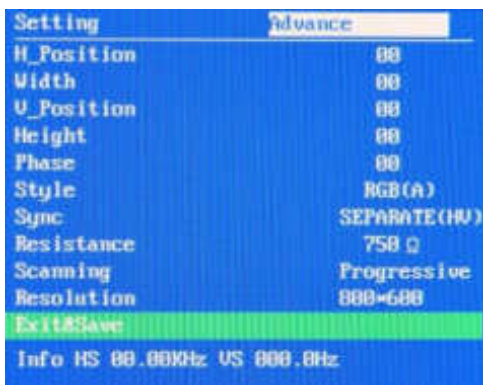
After mounting your new Monitech LCD into the control panel and attaching the video and power cables, the monitor will power up automatically. It should also start receiving the video signal from your machine. If you are getting no video signal, your screen will be blue. Make sure the video cable is secured. To be sure, unplug and reinsert.

# 2. Start with the 3-button menu.

Now that you have your video signal, use the 3 buttons on the back of the LCD to optimize the video for your specific machine. IMPORTANT: ignore the top 5 buttons for now.



Press MENU to open the menu. Press MENU again to select an item. When the item is selected, it will turn red. Press ◀ or ▶ to adjust values. Press MENU again to go back to the list, then use the arrows to move up and down in the list. As long as you are getting a video signal, your settings will be automatically saved.



Setting	Advance
H_Position	00
Width	00
V_Position	00
Height	00
Phase	00
Style	RGB(A)
Sync	SEPARATE(HV)
Resistance	750 Ω
Scanning	Progressive
Resolution	800*600
Exit&Save	
Info HS 00.000kHz VS 000.0Hz	

The picture above shows the default values for each item. The bottom line (Info) shows specific values for your machine's video signals. NOTE: If the Info values show 00.00, there is no video signal. Again, verify that the video cable is secured before you do anything else.

### 3. Size your video image.

Focus on the first five settings. Don't worry about brightness or contrast yet.

#### **H POSITION (HORIZONTAL)**

The default value is 00. The range is -99 to +99.

#### **WIDTH**

This is a very useful setting: use it to adjust the width of the video on your screen. Use it as well to eliminate vertical lines. The range is -99 to +99.

#### **V POSITION (VERTICAL)**

Defaults to 00. The range is 00 to +99.

#### **HEIGHT**

The height defaults to 00 and the range is 00 to +99.

## PHASE

After you use the WIDTH setting, some vertical lines may still be present. Use this setting to eliminate them entirely.

## STYLE

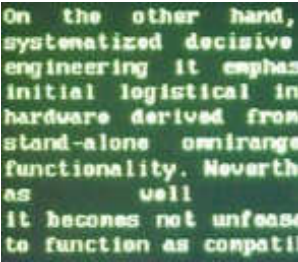
RGB (A) is the default. If you are using this LCD as a monochrome and want a black and white screen instead of green, change the style to YUV. RGB (D) is also available.

## SYNC

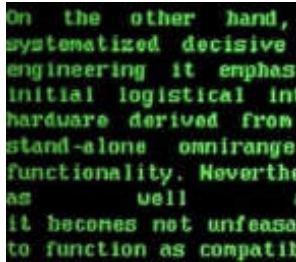
This setting automatically detects what you are using. You can adjust to Separate (UV), Composite (S) or SOG (sync on green).

## RESISTANCE

750 Ω is the default. If your video is saturated or text is “blooming” like the image on the left, change it to 75 Ω.



BEFORE



AFTER

## SCANNING

Defaults to Progressive and rarely needs adjustment.

## RESOLUTION

Defaults to 800x600. If the video still won't fit on the screen after adjusting the WIDTH setting, change the resolution to 640x480.

## EXIT + SAVE

The menu will exit and save automatically after 20 seconds. If you are in a hurry, you can select this item manually.

## 5. Adjust brightness, contrast & color temp.

Use this menu to adjust the brightness, contrast, and color. Use “Color adjust” to change the ratios between red, green, and blue. Use “Color Temp” to set color saturation. (If you select USER and the color gets messed up, go to the MISC menu, and select RESET.) Press MENU and the PICTURE menu will appear:



Now press the up ▲ or down ▼ buttons to select what feature you would like to change. Press **MENU** to enter.

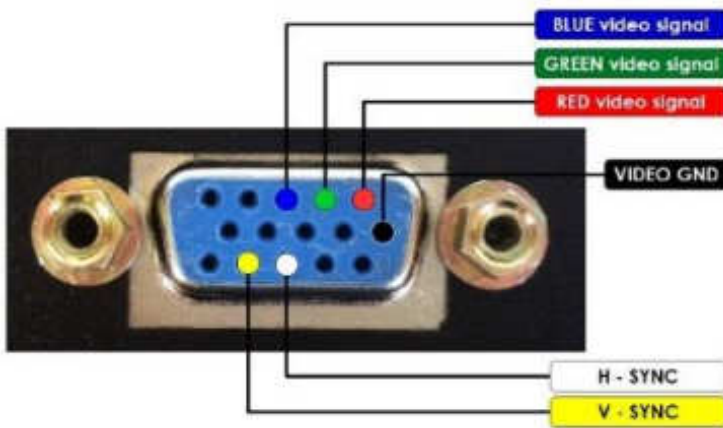
Then use the up ▲ or down ▼ to adjust the value of your selection.

To exit, press AUTO until it goes away.



## Video connector

This picture shows the value for six pins on the video connector at the back of the monitor. (The other pins are not used.)



## Tips to optimize your image

### **My screen is blue.**

This means the LCD is getting no video signal from the machine. Reseat the video connector and secure it.

### **I cannot see a right or left edge of the image.**

In the 3-button menu, select WIDTH and adjust down until you can see the right edge of your video. Now you can adjust the whole screen.

### **The text is dim or the screen is blank.**

In the 3-button menu, set RESISTANCE to **750 Ω**.  
To fine-tune it, use the 5-button menu and adjust BRIGHTNESS in the COLOR setting.

### **The text is too bright.**

In the 3-button menu, set RESISTANCE to **75 Ω**.  
To fine-tune it, use the 5-button menu and adjust BRIGHTNESS in the COLOR setting.

**Vertical lines are interrupting the image.**



In the 3-button menu, select WIDTH and adjust values until the lines disappear. When you have done all you can do with this setting, select PHASE to fine-tune it.

**How do I deal with intermittent video issues?**

Ensure the video cable does not run close to high-power devices or cables. Ensure all cables are securely seated and free of damage.

For Technical Support, Call  
**1-877-493-6105**  
Support@Monitech.com



20 Howard Place  
Kitchener, Ontario N2K 2Z4 Canada  
519-725-2222  
www.monitech.com  
sales@monitech.com